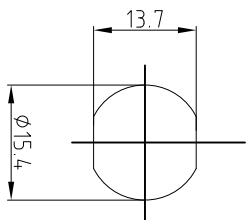
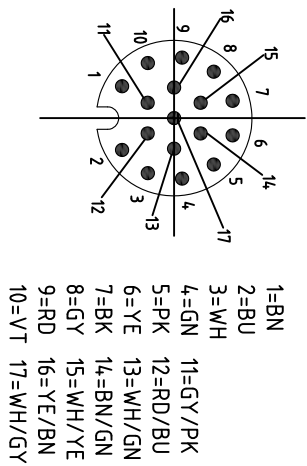


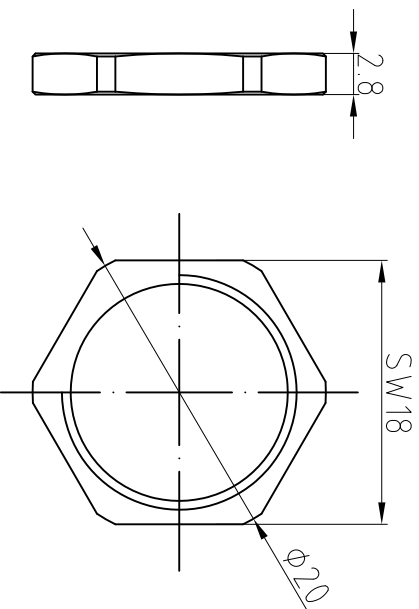
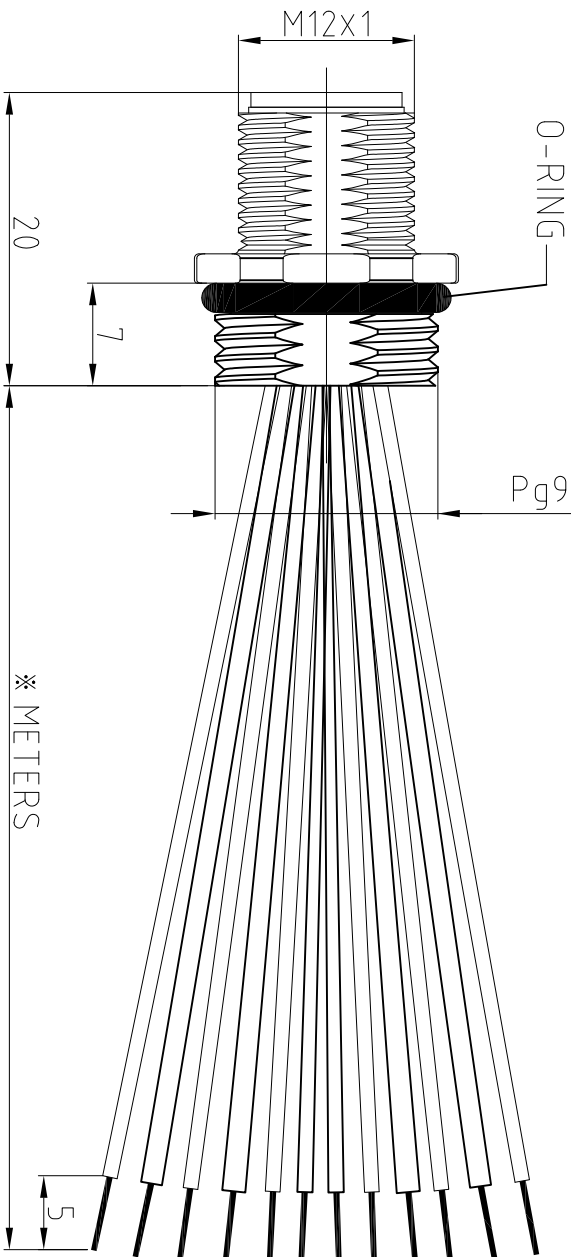
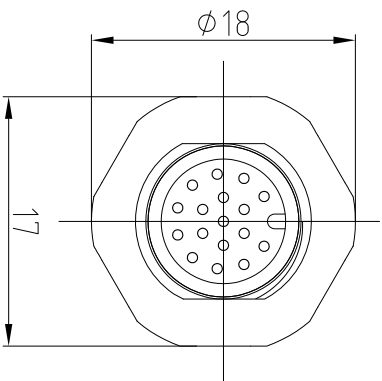
MALE END VIEW

SUGGESTED PANEL CUT OUT



SPECIFICATIONS

CONTACT CARRIER MATERIAL/COLOR	TPU/BLACK
CONTACT PLATING	BRASS/GOLD
HOUSING MATERIAL/PLATING	BRASS/NICKEL
O-RING MATERIAL	NBR
OPERATING CURRENT	1.5 A
OPERATING VOLTAGE	30 V
CONDUCTOR INSULATION MATERIAL	PVC
NUMBER OF CONDUCTORS (AWG)	17 x 26 AWG
OPERATING TEMPERATURE	-20°C — +85°C
PROTECTION CLASS	IEC IP67



CABLE LENGTH	TOLERANCE
ALL LENGTHS	+4%(OR 50mm) OF LENGTH -0% (OR 0mm) OF LENGTH WHICHEVER IS GREATER
STRIP LENGTH	TOLERANCE
0 - 7mm	± 1.0mm
8 - 29mm	± 1.5mm
30 - 49mm	± 2.0mm
50 - 69mm	± 3.0mm
70 - 100mm	± 4.0mm
over 100mm	± 5.0mm

UNIT OF MEASUREMENT
MILLIMETER

Tianjin Genuo Technology Co., Ltd



Approved: Date: 2018.4.27

Process:YJF Date:2018.5.24 Scale: 1:1

Description: FEZ1721-*

REV	COUNT	DESCRIPTION OF REVISIONS	BY	CHECKED	DATE	3RD Angle Projection	www.gsee-tech.cn www.gsee-tech.com	REV
								A

SOURCE DRAWING-FOR REFERENCE ONLY